



STANDARD LADDER TYPE CABLE TRAY

It consists of two longitudinal side rails connected by perforated rungs at regular intervals, providing excellent cable support, ventilation, and ease of installation



A Ladder Type Cable Tray is a high-strength cable management system designed for heavy-duty power cables and industrial applications.



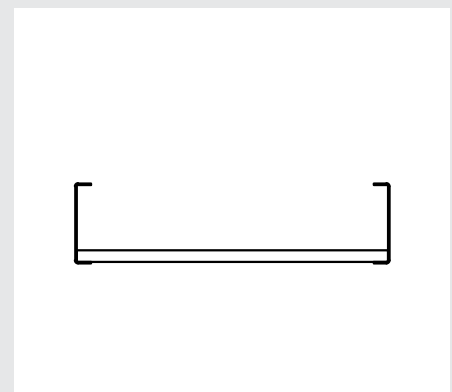
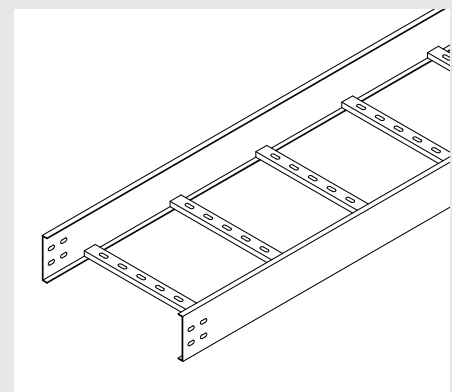
STANDARD LADDER TYPE CABLE TRAY

BENEFITS OF STANDARD LADDER TYPE CABLE TRAY

Feature	Advantage
Simple C-Type Profile	Cost-effective and widely used
Rigid Rung Structure	Supports heavy-duty cable bunches effectively
Open Ventilation Design	Allows heat dissipation for power and control cables
Easy to Cut & Modify	Customization on-site is simple
Multiple Finishing Options	Suitable for indoor and outdoor applications

STANDARD LADDER TYPE CABLE TRAY

ST-LCT-100/50/2-PG



Code	Height (H) mm	Thickness (T) mm	Length (L) mm
ST-LCT-100	50 mm 75 mm 100 mm 150 mm	1.5 mm 2.0 mm 2.5 mm 3.0 mm	2500 mm to 6000 mm
ST-LCT-150			
ST-LCT-200			
ST-LCT-250			
ST-LCT-300			
ST-LCT-400			
ST-LCT-450			
ST-LCT-500	75 mm 100 mm 150 mm	1.5 mm 2.0 mm 2.5 mm 3.0 mm	2500 mm to 6000 mm
ST-LCT-600			
ST-LCT-700			
ST-LCT-800			
ST-LCT-900			
ST-LCT-1000			
ST-LCT-1200			
ST-LCT-1500			

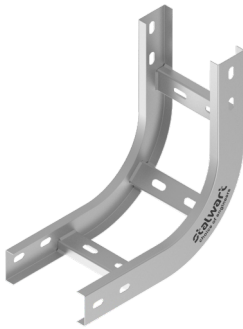
Rung Dimensions	-	W30X12X12	1.5/2.0 mm	250/275/300
Runner Dimensions	-	Hx15mm		
Rung Dimensions	-	W35X15X15H	1.5/2.0/2.5/3.0 mm	250/275/300
Runner Dimensions	-	20mm		

- ▶ **GI Pre Galvanized IS 277**
- ▶ **11 Tank Powder Coated - IS 2062**
- ▶ **Duly Hot Dip Galvanized - IS 2629**
- ▶ **Stainless Steel (304 / 316)**

The given dimensions are standard; customization is available as per project requirements.



STANDARD LADDER TYPE CABLE TRAY ACCESSORIES



Vertical Inside Bend

45° & 90° bend angles
Allows cable tray to transition vertically upwards



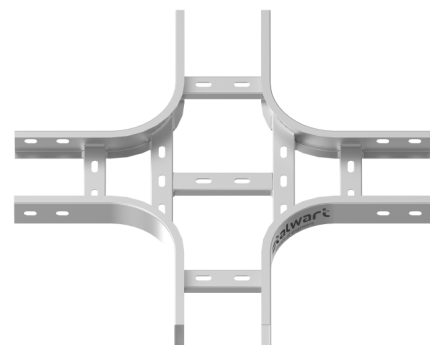
Vertical Outside Bend

45° & 90° bend angles
Enables downward transitions for cables



Tee (T-Junction)

Matches tray dimensions
Branches tray system into three directions



Cross (Four-Way Junction)

Matches tray dimensions
Splits cable routing into four directions



Horizontal Bend (Elbow)

45° & 90° bend angles
Used for horizontal direction changes in the cable pathway



Reducer

Straight, Left-hand, Right-hand
Connects trays of different widths



**PERFECT
PATH
FOR EVERY
CABLE**



ROLLED FLANGE LADDER CABLE TRAY

The XS Ladder Cable Tray is a high-strength cable management system featuring rolled flanges for smooth edges and reinforced ribs for enhanced load-bearing capacity and stability



It ensures superior cable support, durability, and ventilation for industrial and commercial applications



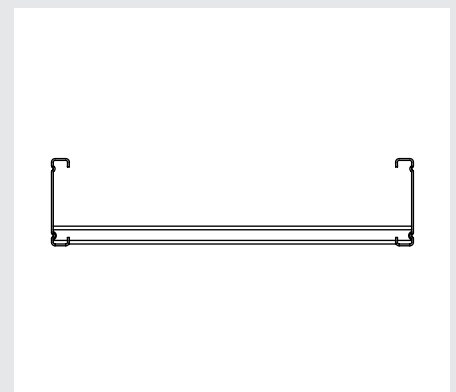
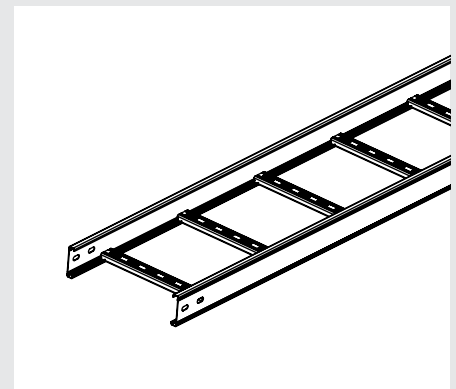
ROLLED FLANGE LADDER CABLE TRAY

BENEFITS OF ROLLED FLANGE LADDER CABLE TRAY

Feature	Advantage
Rolled Flange Edge	No sharp edges – prevents cable damage and improves safety
Ribbed Side Rail	Provides extra stiffness and strength at lower thickness
Long Span Load Capacity	Withstands higher loads at longer support intervals
Heavy-Duty Rung Design	Ensures reliable support for large-diameter or power cables
Enhanced Aesthetic & Finish	Ideal for premium industrial and clean environments

ROLLED FLANGE LADDER CABLE TRAY

ST-XSLCT-100/50/2-PG



Code	Height (H) mm	Thickness (T) mm	Length (L) mm
ST-XSLCT-100	50 mm 75 mm 100 mm	1.5 mm 2.0 mm	2500 mm to 6000 mm
ST-XSLCT-150			
ST-XSLCT-200			
ST-XSLCT-250			
ST-XSLCT-300			
ST-XSLCT-400			
ST-XSLCT-500			
ST-XSLCT-600	75 mm 100 mm 150 mm	1.5 mm 2.0 mm	2500 mm to 6000 mm
ST-XSLCT-700			
ST-XSLCT-800			
ST-XSLCT-900			
ST-XSLCT-1000			
ST-XSLCT-1200			
ST-XSLCT-1500			

- ▶ GI Pre Galvanized IS 277
- ▶ 11 Tank Powder Coated - IS 2062
- ▶ Duly Hot Dip Galvanized - IS 2629
- ▶ Stainless Steel (304 / 316)



EMBOFLANGE LADDER TYPE CABLE TRAY

A Rolled Flange & Embossed Ladder Type Cable Tray is an advanced heavy-duty cable support system that enhances strength, durability, and cable protection.



Embossed Rungs: Provides extra reinforcement and prevents cable slippage, improving load-bearing capacity.



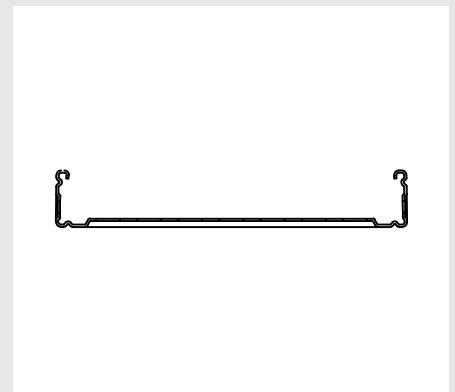
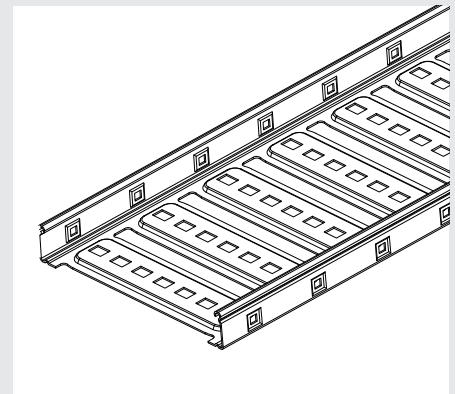
EMBOFLANGE LADDER TYPE CABLE TRAY

BENEFITS OF EMBOFLANGE LADDER TYPE CABLE TRAY

Feature	Advantage
Embossed Side Web	Increases rigidity and eliminates side wall deflection under load
Rolled Flange with Rib	Prevents cable sheath damage and ensures safe handling
Lightweight, High Load	Offers same or better performance at reduced material thickness
Smooth Handling	Safer during installation and reduces injury risks
Longer Span Support	Achieves greater span with fewer support brackets
Premium Look	Ideal for visible installations and modern infrastructure

EMBOFLANGE LADDER TYPE CABLE TRAY

ST-EMFLCT-100/50/2-PG



Code	Height (H) mm	Thickness (T) mm	Length (L) mm
ST-EMFLCT-100	50 mm 75 mm 100 mm	1.5 mm 2.0 mm	2500 mm to 6000 mm
ST-EMFLCT-150			
ST-EMFLCT-200			
ST-EMFLCT-250			
ST-EMFLCT-300			
ST-EMFLCT-400			
ST-EMFLCT-500			
ST-EMFLCT-600			
ST-EMFLCT-700			
ST-EMFLCT-800			
ST-EMFLCT-900	75 mm 100 mm 150 mm		
ST-EMFLCT-1000			
ST-EMFLCT-1200			
ST-EMFLCT-1500			

- ▶ GI Pre Galvanized IS 277
- ▶ 11 Tank Powder Coated - IS 2062
- ▶ Duly Hot Dip Galvanized - IS 2629
- ▶ Stainless Steel (304 / 316)